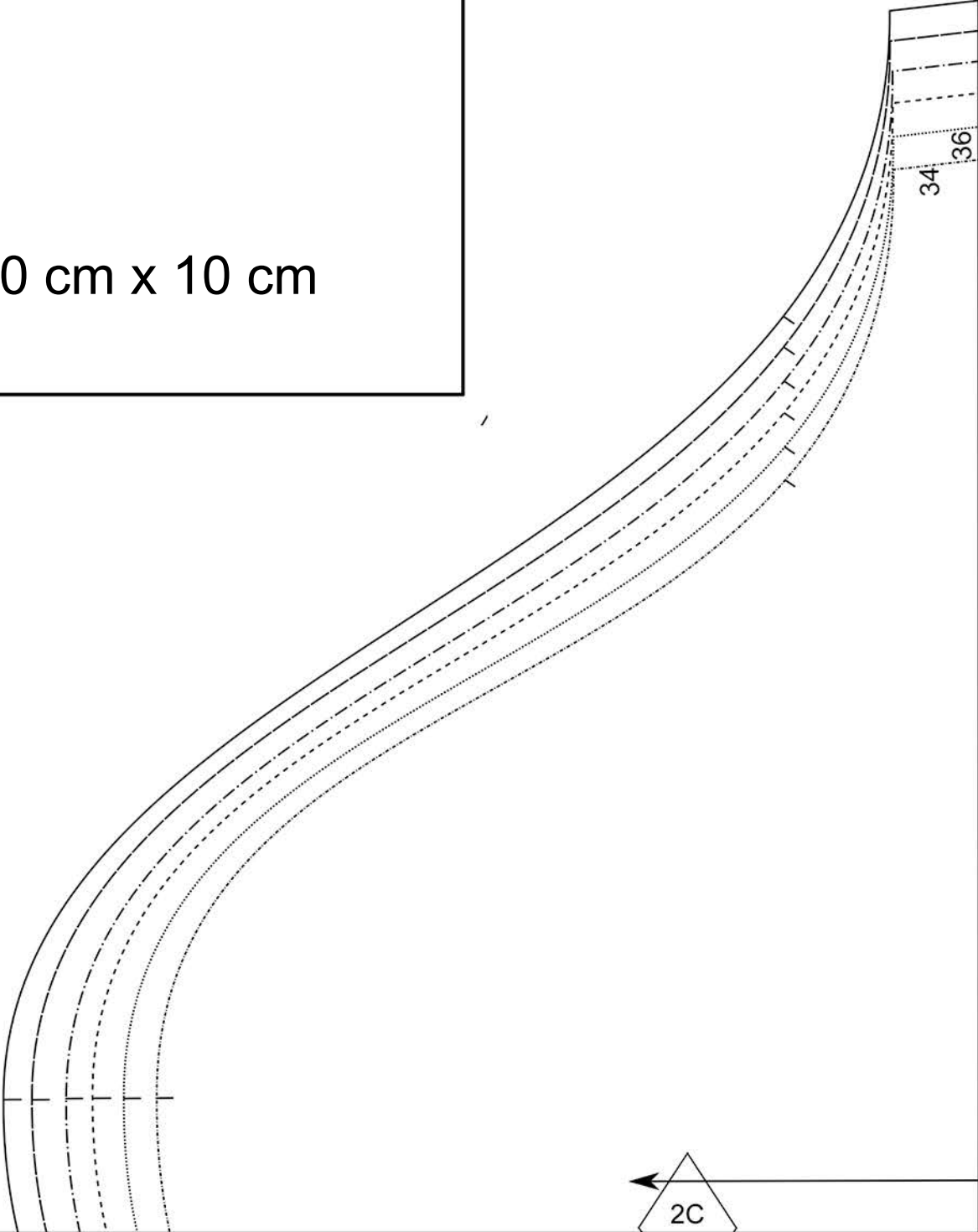


Pauline Alice
SEWING PATTERNS

10 cm x 10 cm



1C

34
36

2C

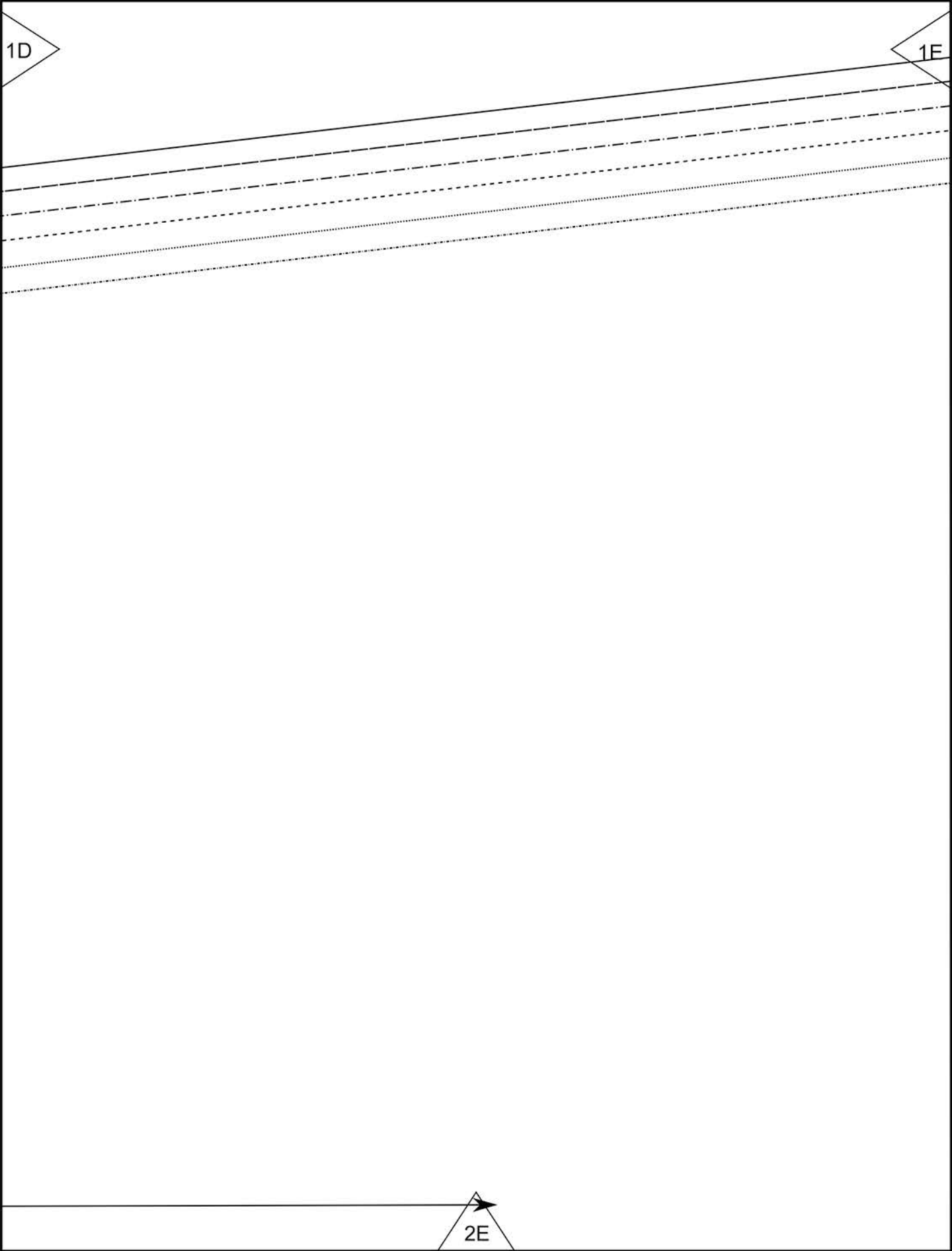
1C

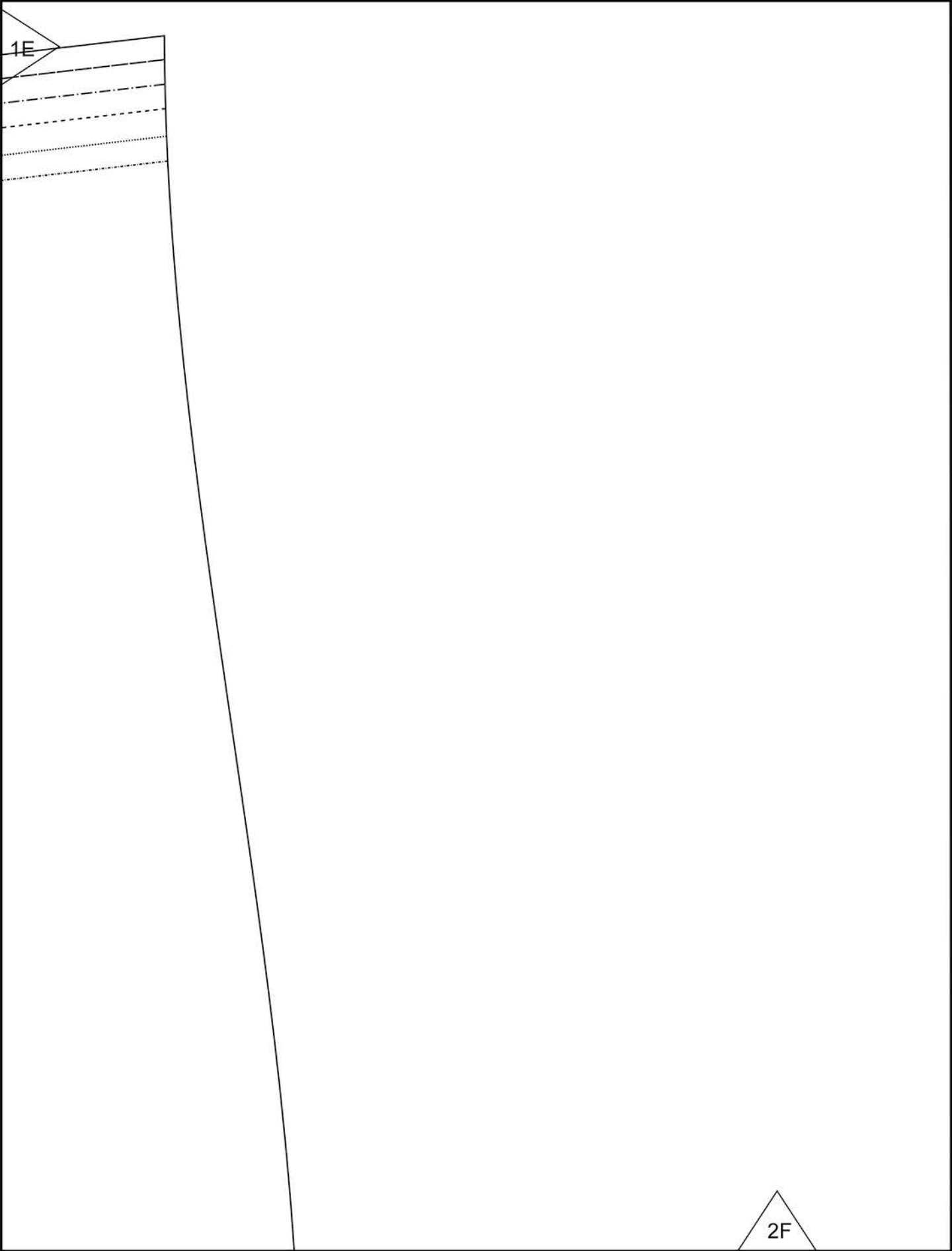
1D

38
40
42
44

blouse Tippi

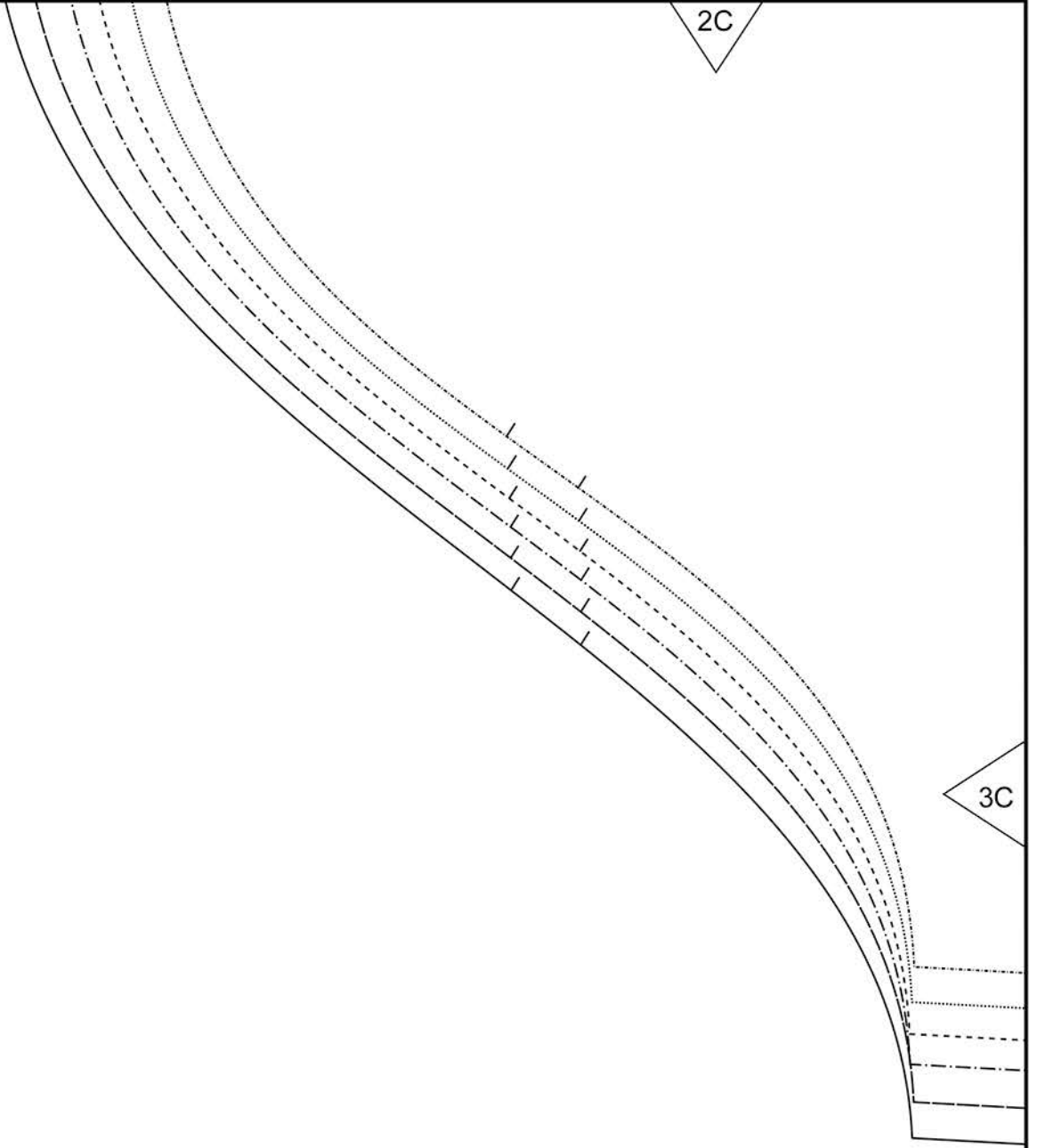
2D





2C

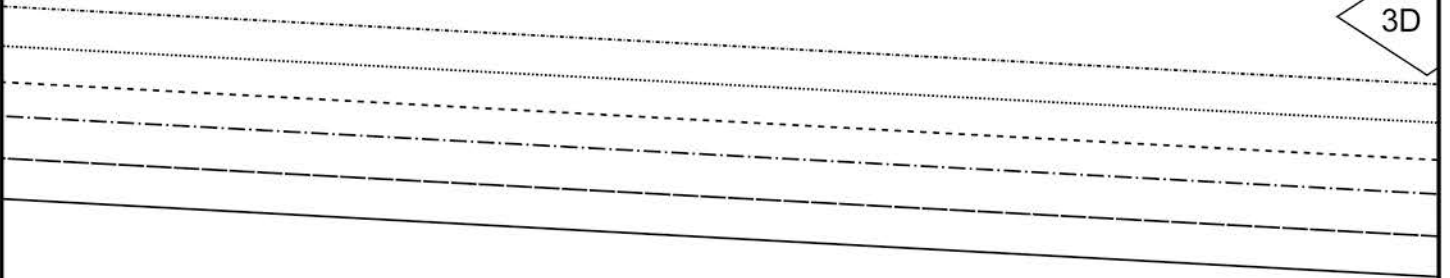
3C



2D

3C

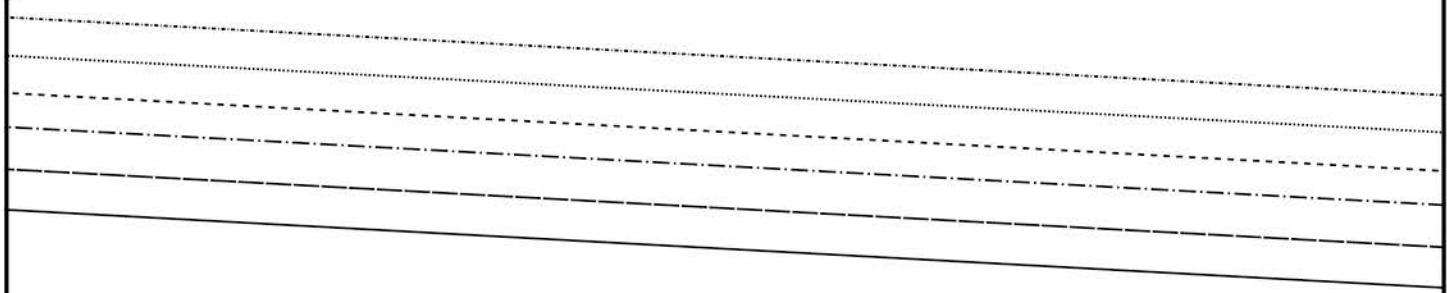
3D



2E

3E

3D



2F

3E

